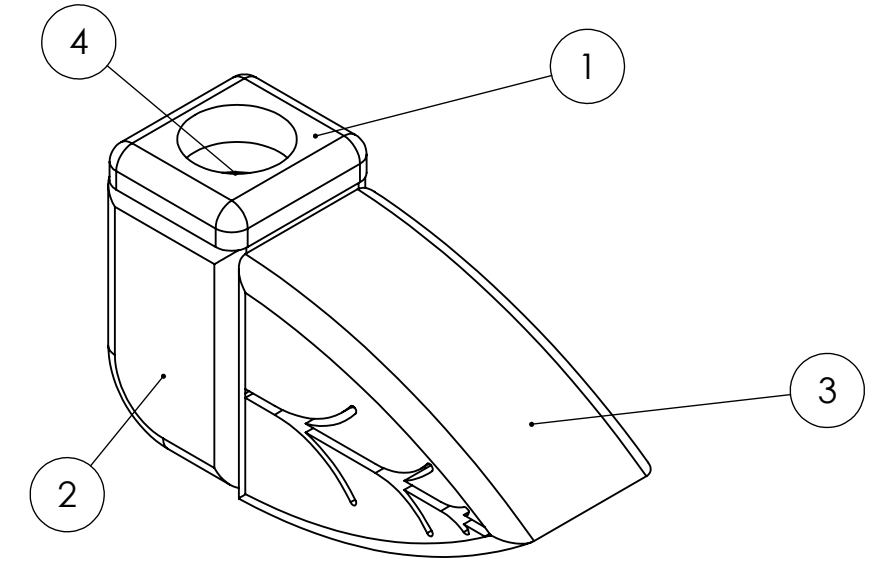
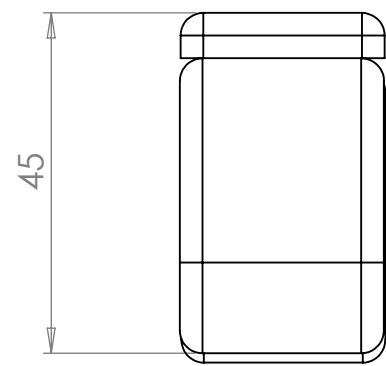


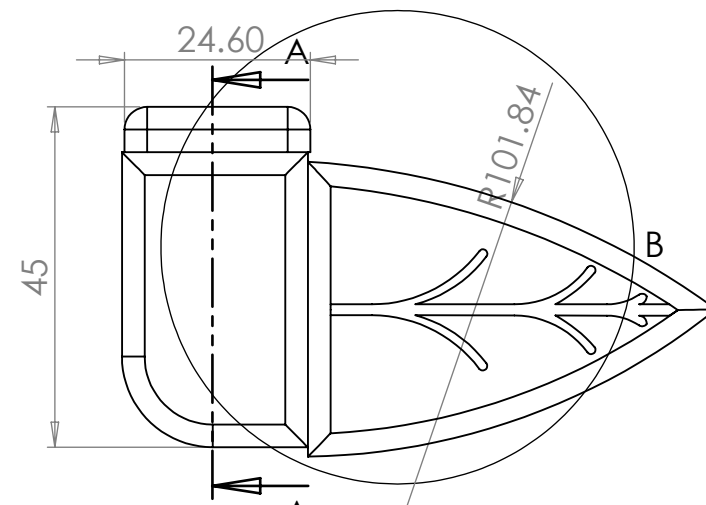
TOP VIEW



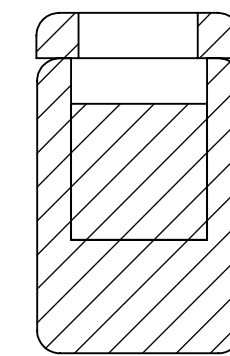
DETAIL B



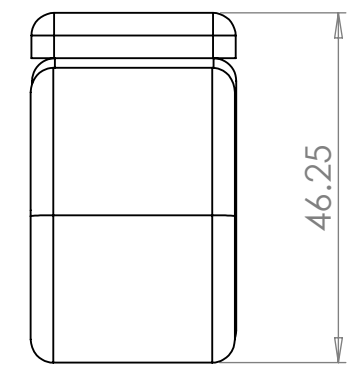
LEFT VIEW



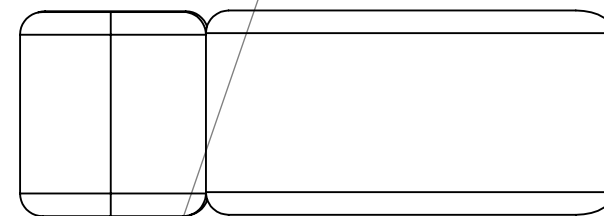
FRONT VIEW



SECTION A-A
SCALE 1 : 1



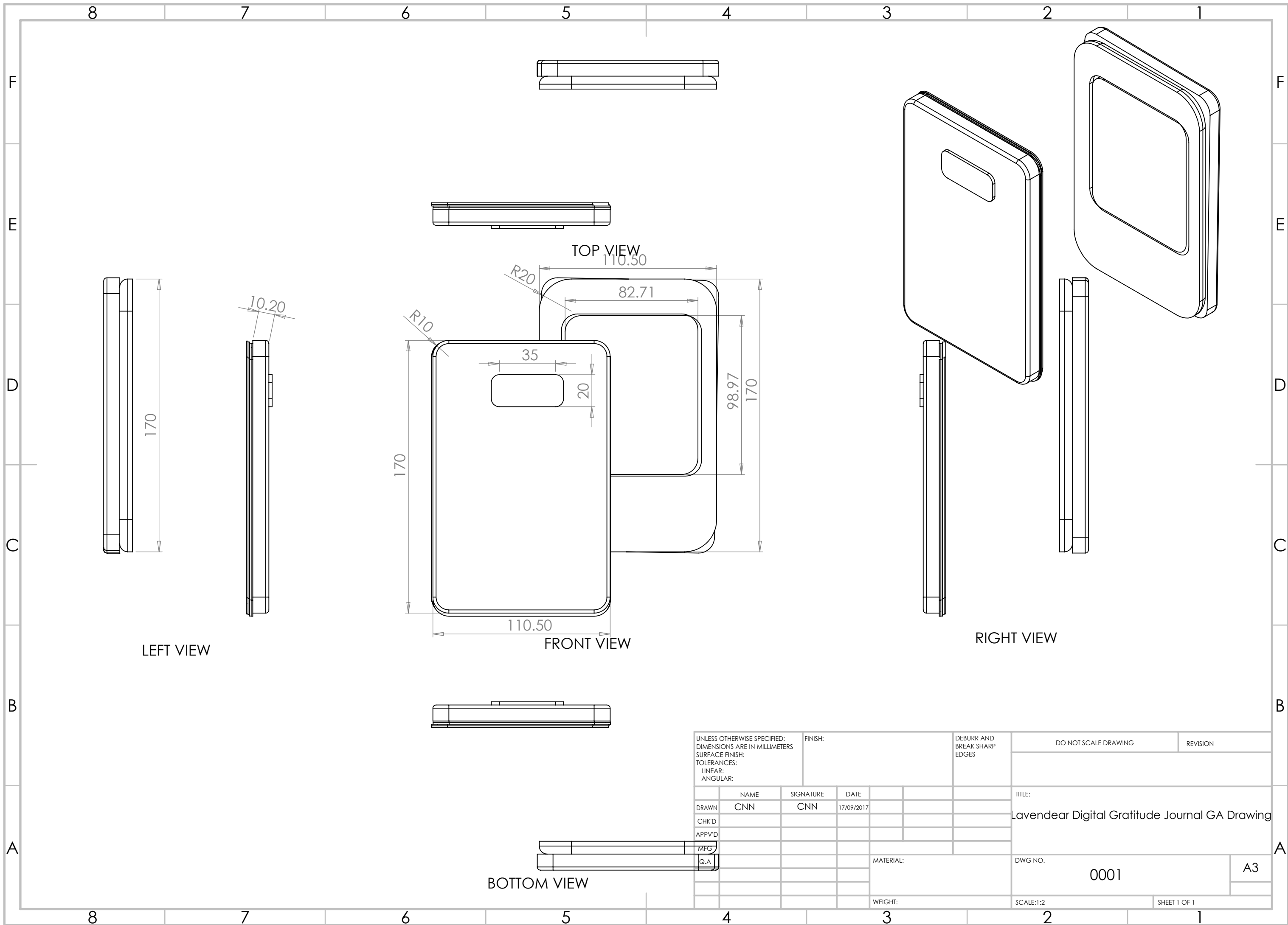
RIGHT VIEW



BOTTOM VIEW

ITEM NO.	PART NUMBER	DESCRIPTION	QTY.
1	Aroma Diffuser 3	ABS or Stainless Steel	1
2	Aroma Diffuser 2	ABS or Auracell	1
3	Aroma Diffuser 1	Ash Wood, Oak Wood or Maple Wood	1
4	Aroma Diffuser 4	Essential Oil Capsule	1

UNLESS OTHERWISE SPECIFIED: DIMENSIONS ARE IN MILLIMETERS SURFACE FINISH: TOLERANCES: LINEAR: ANGULAR:			FINISH:		DEBURR AND BREAK SHARP EDGES		DO NOT SCALE DRAWING		REVISION		
DRAWN CNN			SIGNATURE CNN		DATE 17/09/2017		TITLE: Lavendear Breathing Leaf GA Drawing1				
CHK'D			MFG		Q.A		MATERIAL:		DWG NO. 0001		
A3			WEIGHT:		SCALE:2:1		SHEET 1 OF 1				



UNLESS OTHERWISE SPECIFIED: DIMENSIONS ARE IN MILLIMETERS SURFACE FINISH: TOLERANCES: LINEAR: ANGULAR:				FINISH:		DEBURR AND BREAK SHARP EDGES		DO NOT SCALE DRAWING		REVISION	
DRAWN CNN				SIGNATURE CNN		DATE 17/09/2017		TITLE: Lavendear Digital Gratitude Journal GA Drawing			
CHK'D				APPV'D		MFG		MATERIAL:		DWG NO. 0001	
APPV'D				Q.A		WEIGHT:		SCALE:1:2		SHEET 1 OF 1	
A3											